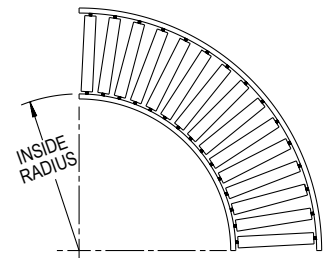


# ROLLER Gravity Roller Curve Conveyor (2 1/2 in. Dia. x 11 Ga. Rollers)

Heavy-duty gravity roller curve conveyors add versatility to straight gravity roller conveyors. Curves are supplied with 2 1/2 in. dia. rollers mounted in a powder painted steel channel. Curves may be furnished with rollers set high, or with rollers set low to form 3/4 in. high guard rails.



OAW	BR	Inside Radius	Rollers Per Curve 90°	Model No. 25SRC 2 1/2" Rollers	Weight (Lbs) 90°
16 1/4"	13"	32 1/2"	16 Single	25SRC-13-90S	170
18 1/4"	15"			25SRC-15-90S	185
20 1/4"	17"			25SRC-17-90S	200
22 1/4"	19"			25SRC-19-90S	212
24 1/4"	21"			25SRC-21-90S	230
26 1/4"	23"			25SRC-23-90S	245
28 1/4"	25"			25SRC-25-90S	260
30 1/4"	27"			25SRC-27-90S	276
34 1/4"	31"	48"	37 Double	25SRC-31-90D	432
36 1/4"	33"			25SRC-33-90D	451
40 1/4"	37"			25SRC-37-90D	589
42 1/4"	39"			25SRC-39-90D	508
46 1/4"	43"			25SRC-43-90D	546
50 1/4"	47"			25SRC-47-90D	583
54 1/4"	51"			25SRC-51-90D	622

OAW	BR	Inside Radius	Rollers Per Curve 60°	Model No. 25SRC 2 1/2" Rollers	Weight (Lbs) 60°
16 1/4"	13"	32 1/2"	10 Single	25SRC-13-60S	128
18 1/4"	15"			25SRC-15-60S	138
20 1/4"	17"			25SRC-17-60S	150
22 1/4"	19"			25SRC-19-60S	159
24 1/4"	21"			25SRC-21-60S	173
26 1/4"	23"			25SRC-23-60S	183
28 1/4"	25"			25SRC-25-60S	195
30 1/4"	27"			25SRC-27-60S	207
34 1/4"	31"	48"	23 Double	25SRC-31-60D	324
36 1/4"	33"			25SRC-33-60D	339
40 1/4"	37"			25SRC-37-60D	366
42 1/4"	39"			25SRC-39-60D	381
46 1/4"	43"			25SRC-43-60D	410
50 1/4"	47"			25SRC-47-60D	438
54 1/4"	51"			25SRC-51-60D	467

OAW	BR	Inside Radius	Rollers Per Curve 45°	Model No. 25SRC 2 1/2" Rollers	Weight (Lbs) 45°
16 1/4"	13"	32 1/2"	8 Single	25SRC-13-45S	91
18 1/4"	15"			25SRC-15-45S	98
20 1/4"	17"			25SRC-17-45S	106
22 1/4"	19"			25SRC-19-45S	113
24 1/4"	21"			25SRC-21-45S	121
26 1/4"	23"			25SRC-23-45S	128
28 1/4"	25"			25SRC-25-45S	136
30 1/4"	27"			25SRC-27-45S	143
34 1/4"	31"	48"	19 Double	25SRC-31-45D	311
36 1/4"	33"			25SRC-33-45D	323
40 1/4"	37"			25SRC-37-45D	348
42 1/4"	39"			25SRC-39-45D	360
46 1/4"	43"			25SRC-43-45D	385
50 1/4"	47"			25SRC-47-45D	408
54 1/4"	51"			25SRC-51-45D	434

OAW	BR	Inside Radius	Rollers Per Curve 30°	Model No. 25SRC 2 1/2" Rollers	Weight (Lbs) 30°
16 1/4"	13"	32 1/2"	5 Single	25SRC-13-30S	57
18 1/4"	15"			25SRC-15-30S	61
20 1/4"	17"			25SRC-17-30S	66
22 1/4"	19"			25SRC-19-30S	70
24 1/4"	21"			25SRC-21-30S	75
26 1/4"	23"			25SRC-23-30S	81
28 1/4"	25"			25SRC-25-30S	86
30 1/4"	27"			25SRC-27-30S	91
34 1/4"	31"	48"	13 Double	25SRC-31-30D	143
36 1/4"	33"			25SRC-33-30D	148
40 1/4"	37"			25SRC-37-30D	161
42 1/4"	39"			25SRC-39-30D	167
46 1/4"	43"			25SRC-43-30D	181
50 1/4"	47"			25SRC-47-30D	192
54 1/4"	51"			25SRC-51-30D	205

## • STANDARD SPECIFICATIONS

**WIDTHS**—Between Rail Width 13 in., 15 in., 17 in., 19 in., 21 in., 23 in., 25 in., 27 in., 31 in., 33 in., 37 in., and 39 in., 43 in., 47 in., & 51 in.

**FRAME**—4 in. deep x 1 1/8 in. flange x 4 ga. powder painted formed steel channel with bolt-in cross members set high, welded cross members set low.

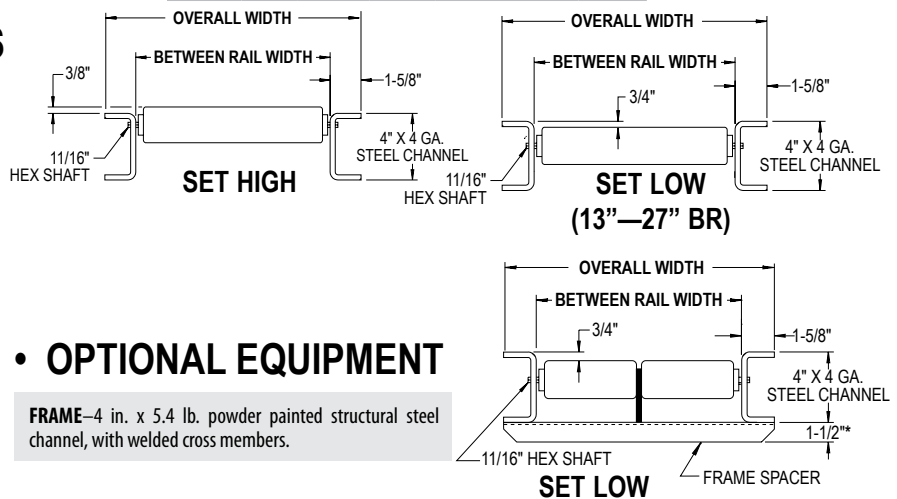
**BUTT COUPLINGS**—For bolting sections together.

**CURVES**—30°, 45°, 60° and 90° with 32 1/2 in. inside radius up to 27 in., 48 in. inside radius on 31 in. to 51 in. between rail widths.

**ROLLERS**—25-SRC 2 1/2 in. dia. x 11 ga. steel tubing. Bearings are labyrinth sealed and grease packed.

**AXLES**—1 1/8 in. hex shaft, spring loaded.

**CAPACITY**—Same per foot capacity as straight sections. See charts previous page.



## • OPTIONAL EQUIPMENT

**FRAME**—4 in. x 5.4 lb. powder painted structural steel channel, with welded cross members.

\*Frame spacer 1 1/2" below channel on 31" to 51" BR only.

