



Hand Pushed Trolleys

1/4 Ton Capacity Trolley

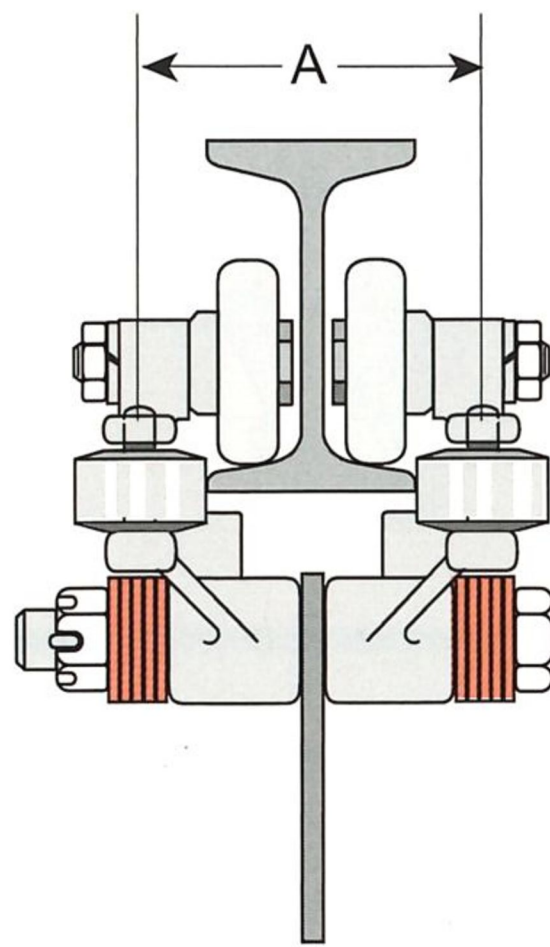
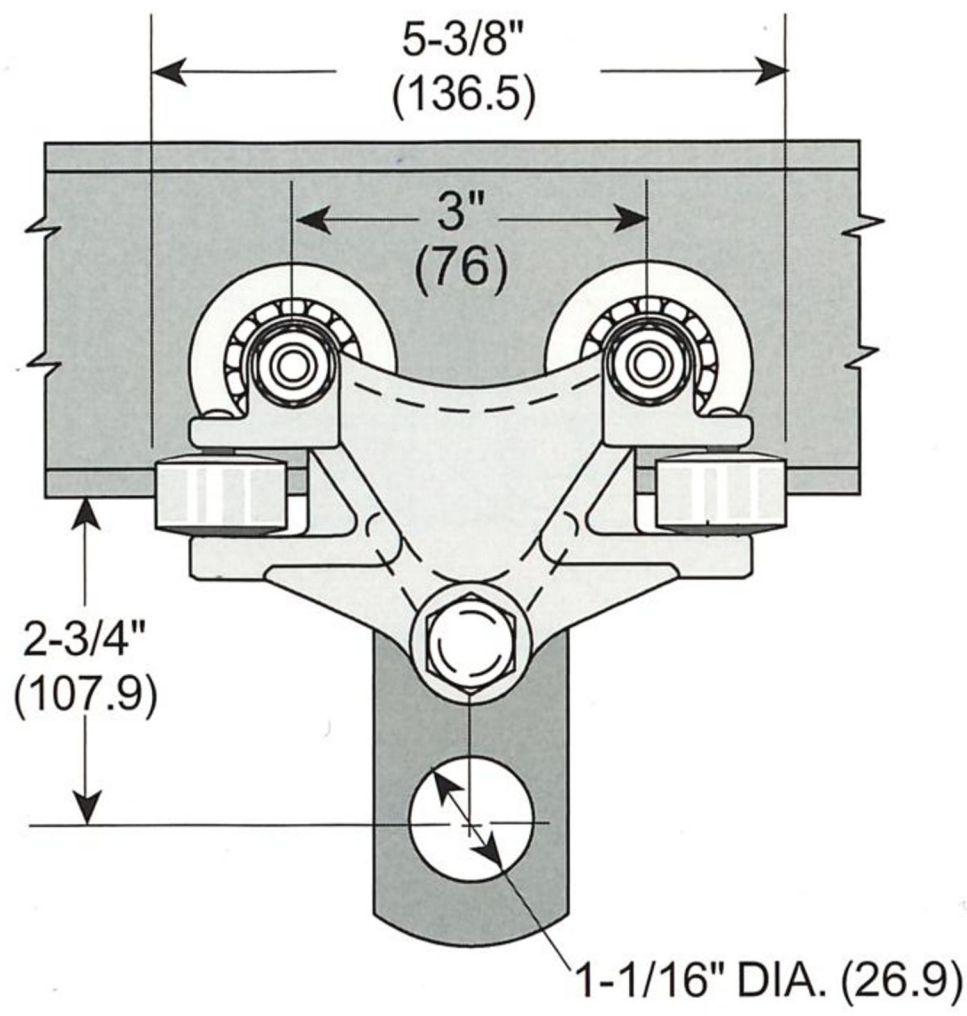
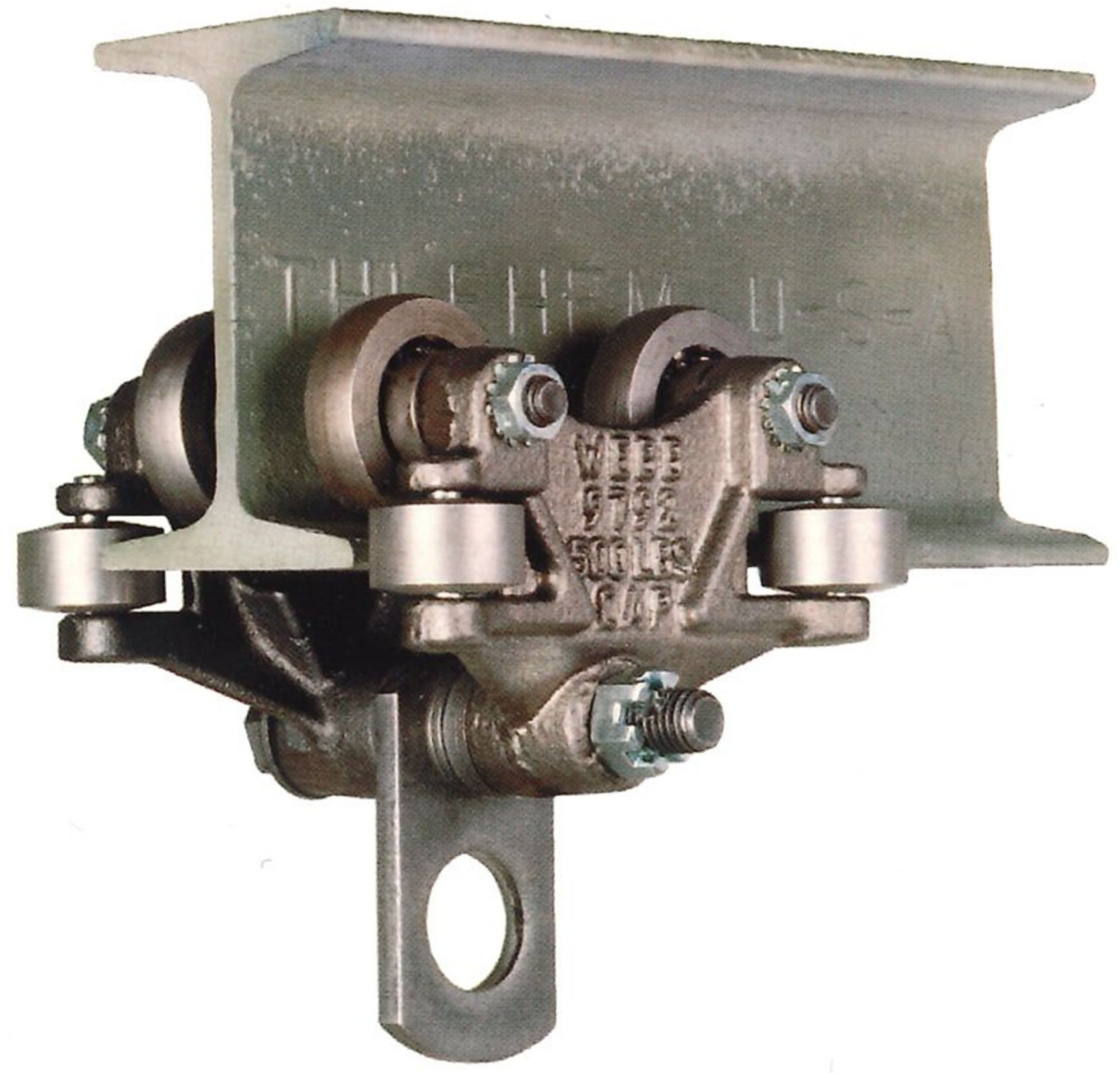
Part No. 9792

Adapts to: 2-5/8", 3" & 4" I-beams

Standard Features:

Side guide rollers prevent unnecessary wear on track and trolley.

Rugged cast iron body construction.



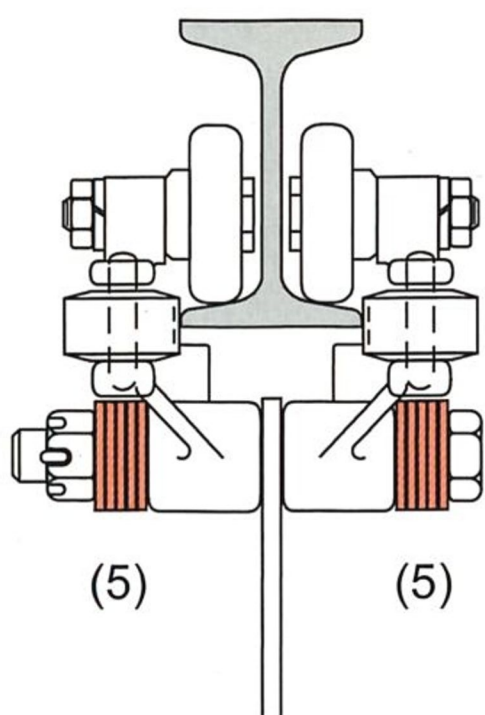
Min. horizontal radius 12" (304.8)
 Dia. of load link bolt 1/2" (12.7)
 Weight 8.63 pounds (3.9 kg)

I-beam Size	A	
	inch	mm
2-5/8"	3	76.2
3"	3-9/16	90.5
4"	3-7/8	98.4

Washer Placement Guide

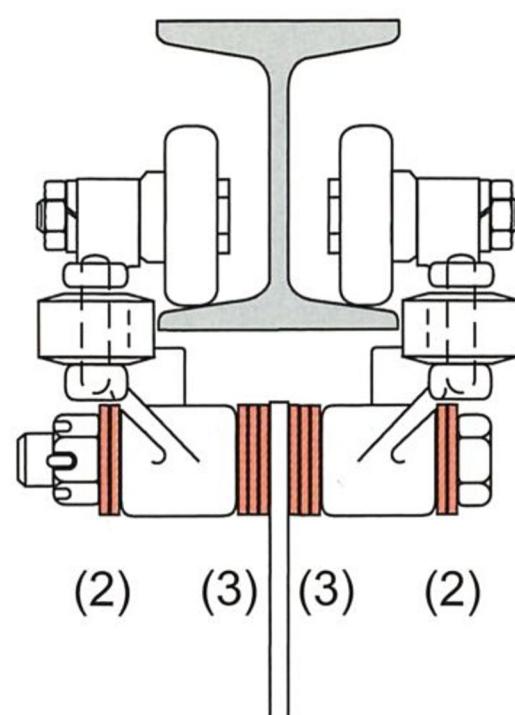
Caution: Maximum washer thickness for a 1/2" dia. (13.0) load bolt is 0.095" (2.4).

2-5/8" (67) I-beam



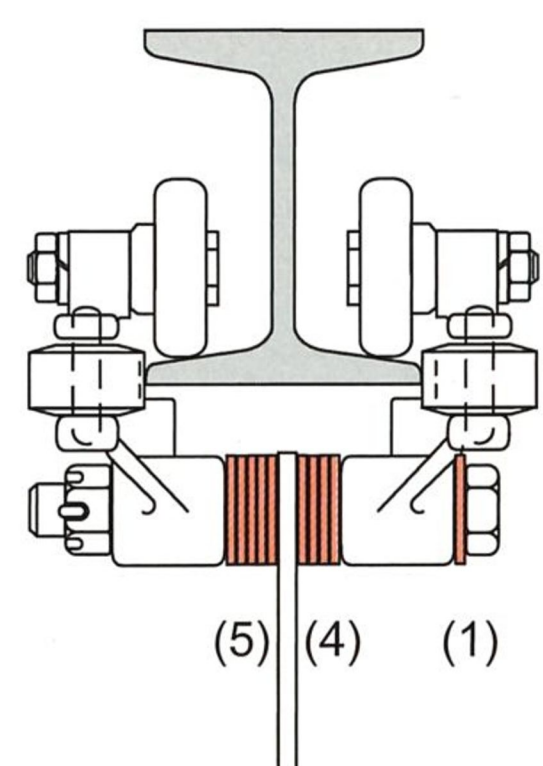
0 washers inside bolt
 10 washers outside bolt

3" (76) I-beam



6 washers inside bolt
 4 washers outside bolt

4" (102) I-beam



9 washers inside bolt
 1 washer outside bolt



Hand Pushed Trolleys

3/4 Ton Capacity Trolley

Part No. 10711

Adapts to: 4", 5" & 6" I-beams

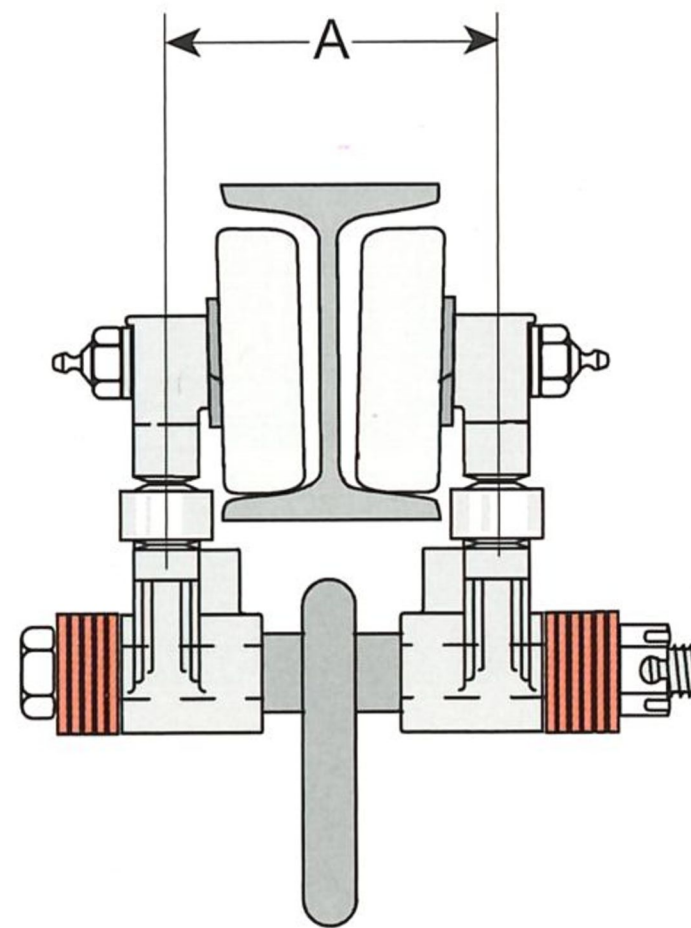
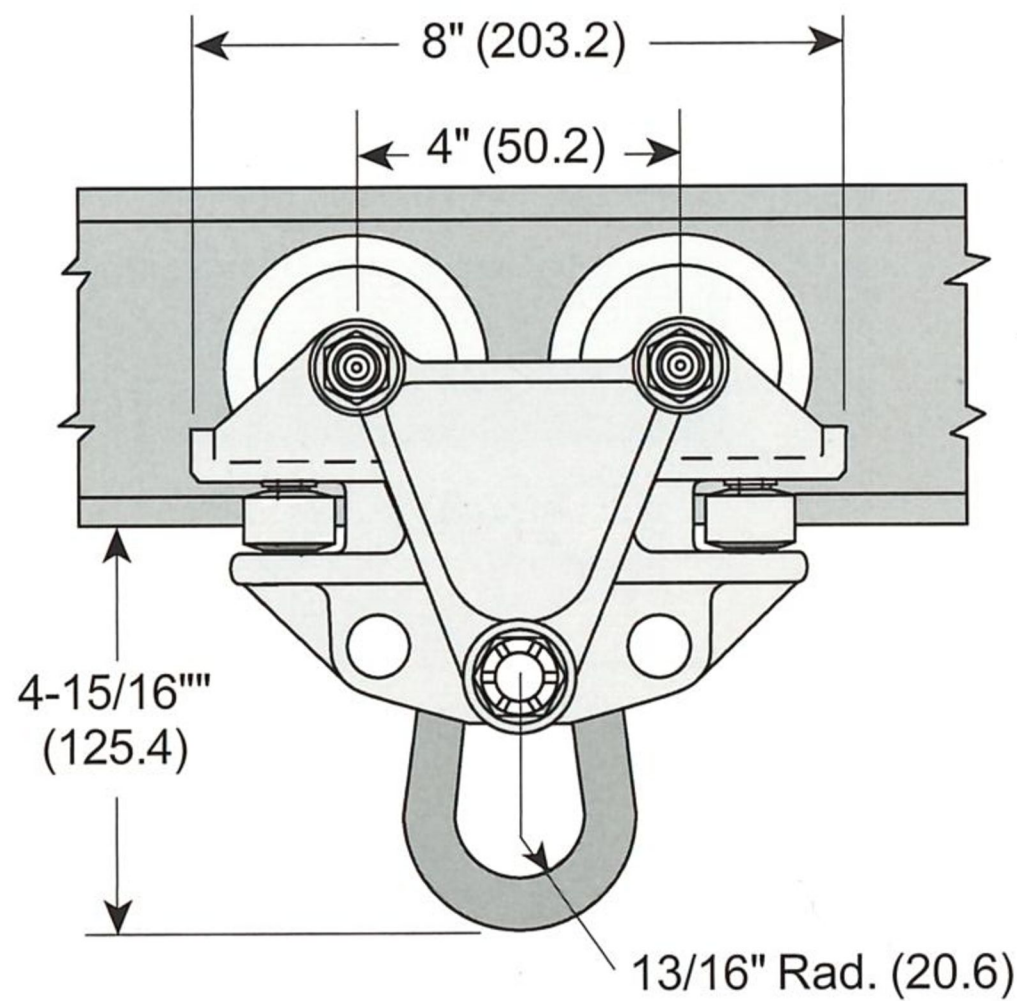
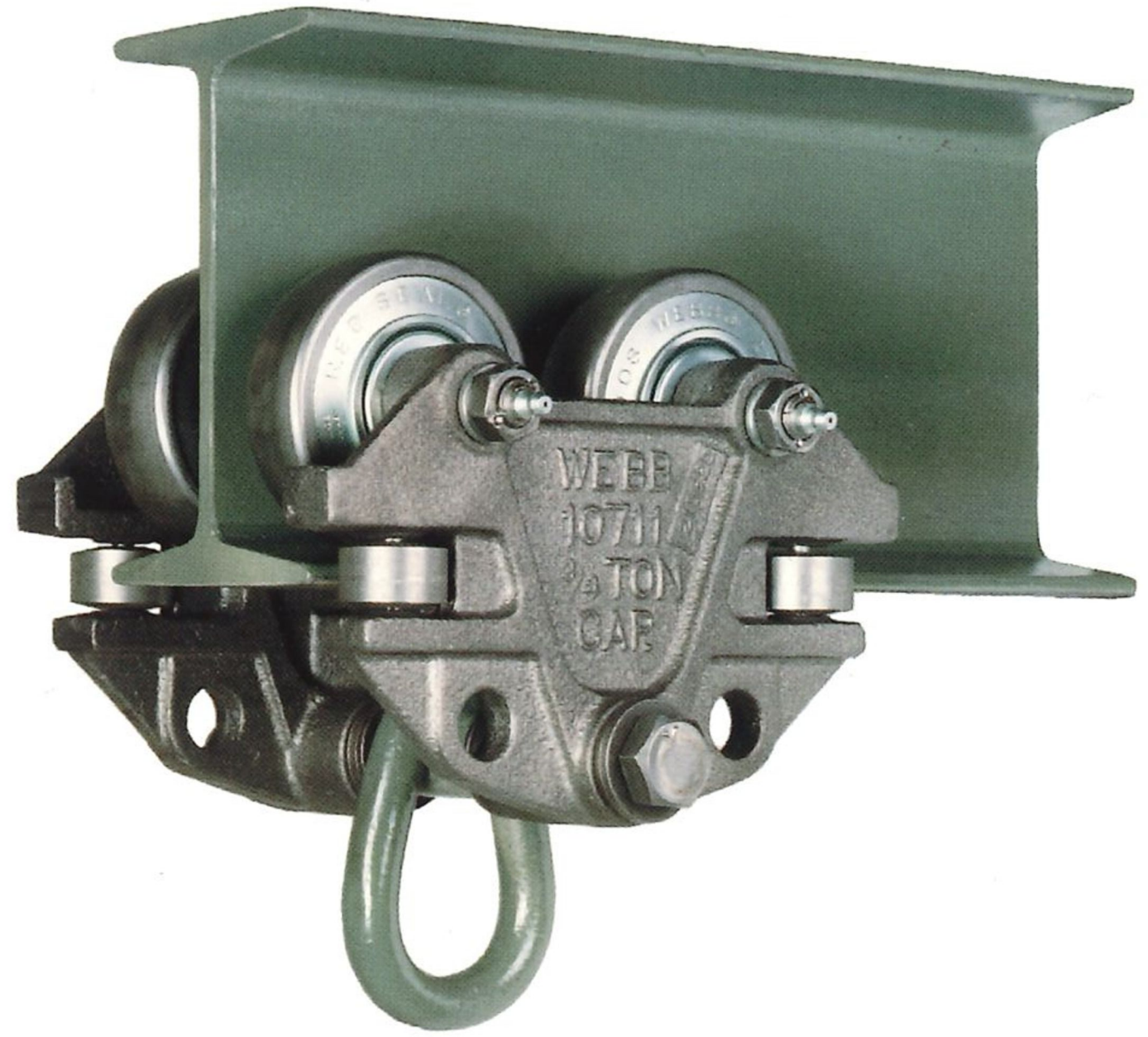
For I-beams over 6", contact Webb Sales for special assembly instructions.

Standard Features:

- Side guide rollers prevent unnecessary wear on track and trolley.
- Extended end flanges for added safety.
- Rugged cast iron body construction.
- Trolley wheels are equipped with standard triple labyrinth seals.
- Wheels are bolted for easy replacement.

Available options:

- Red Seal Guard with full contact grease seals.

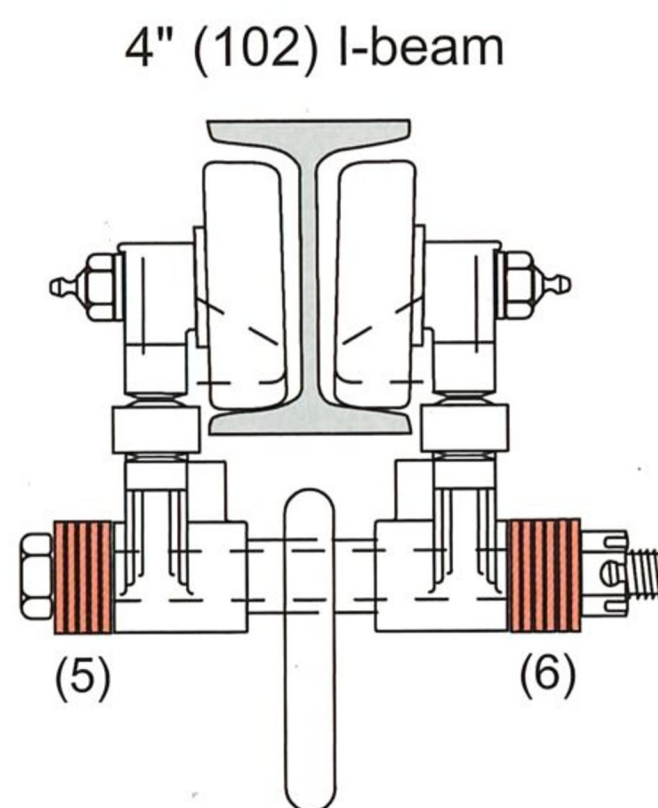


Min. horizontal radius 12" (304.8)
 Dia. of load link bolt 5/8" (15.9)
 Weight 17 pounds (7.71 kg)

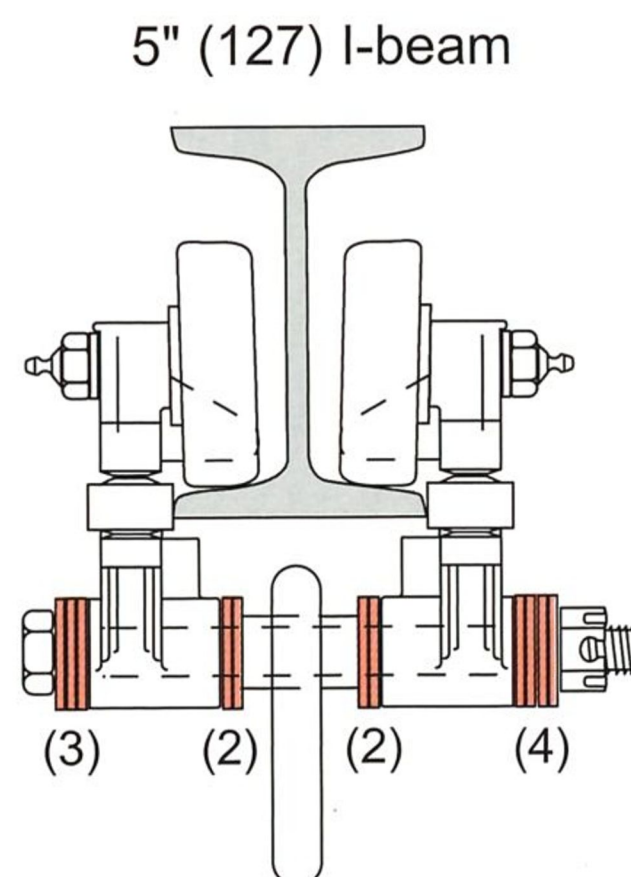
I-beam Size	A	
	inch	mm
4"	4	101.6
5"	4-3/8	111.7
6"	4-3/4	120.6

Washer Placement Guide

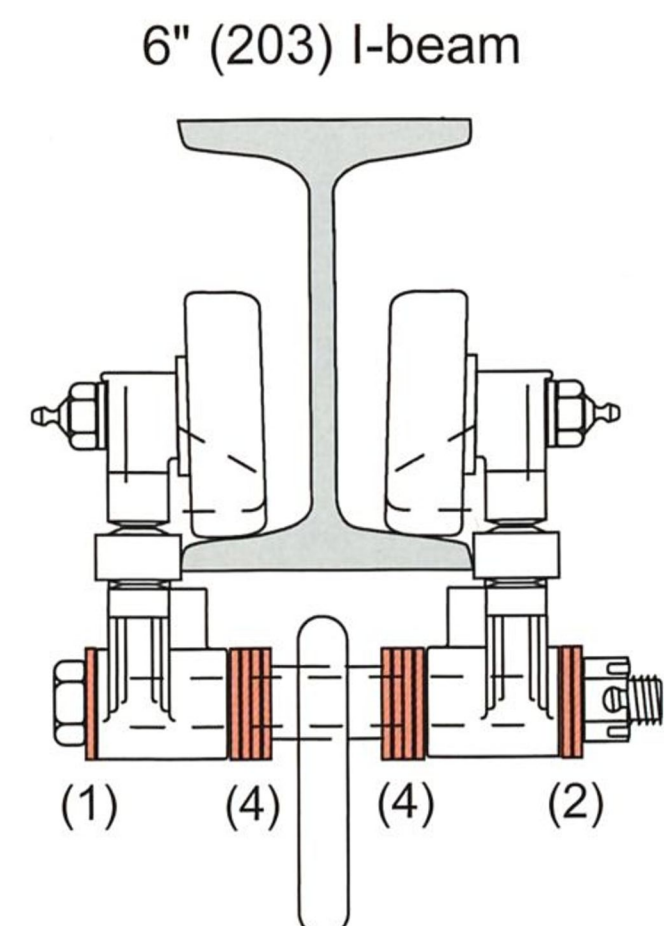
Caution: Maximum washer thickness for a 5/8" dia. (16.0) load bolt is 0.134" (2.4)



0 washers inside bolt
 11 washers outside bolt



4 washers inside bolt
 7 washers outside bolt



8 washers inside bolt
 3 washers outside bolt



Hand Pushed Trolleys

1 Ton Capacity Trolley

Part No. 8360

Adapts to: 5", 6", 7" & 8" I-beams

For use on 10" & 12" I-beams, contact Webb Sales for special assembly instructions.

Standard Features:

Side guide rollers prevent unnecessary wear on track and trolley.

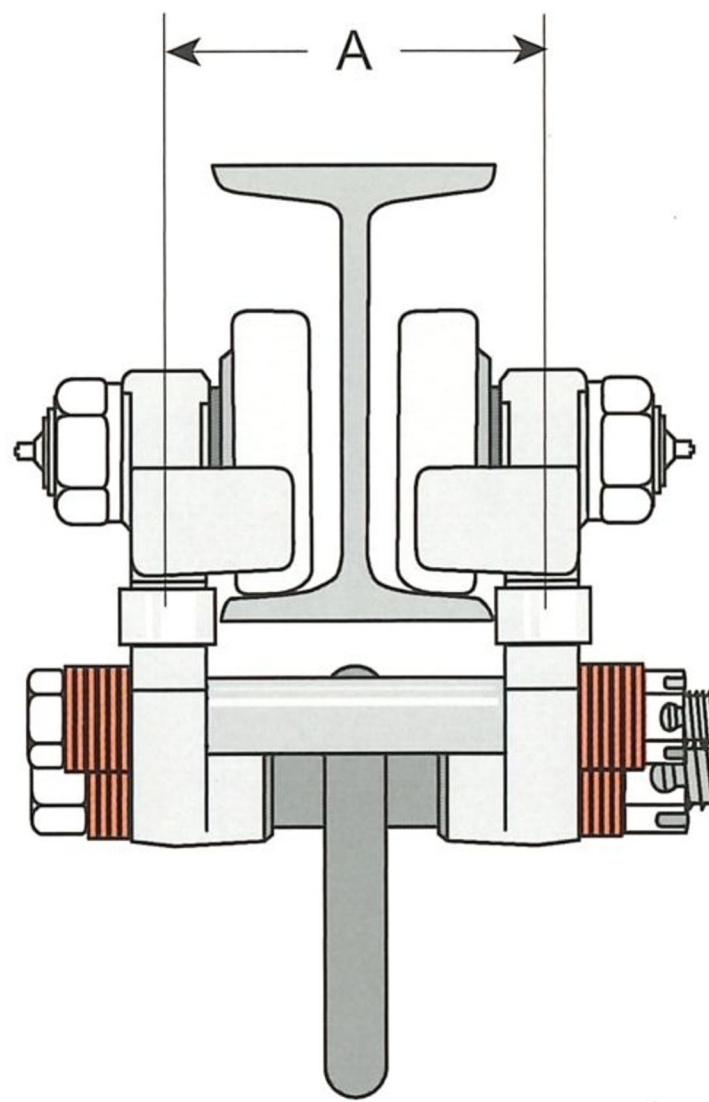
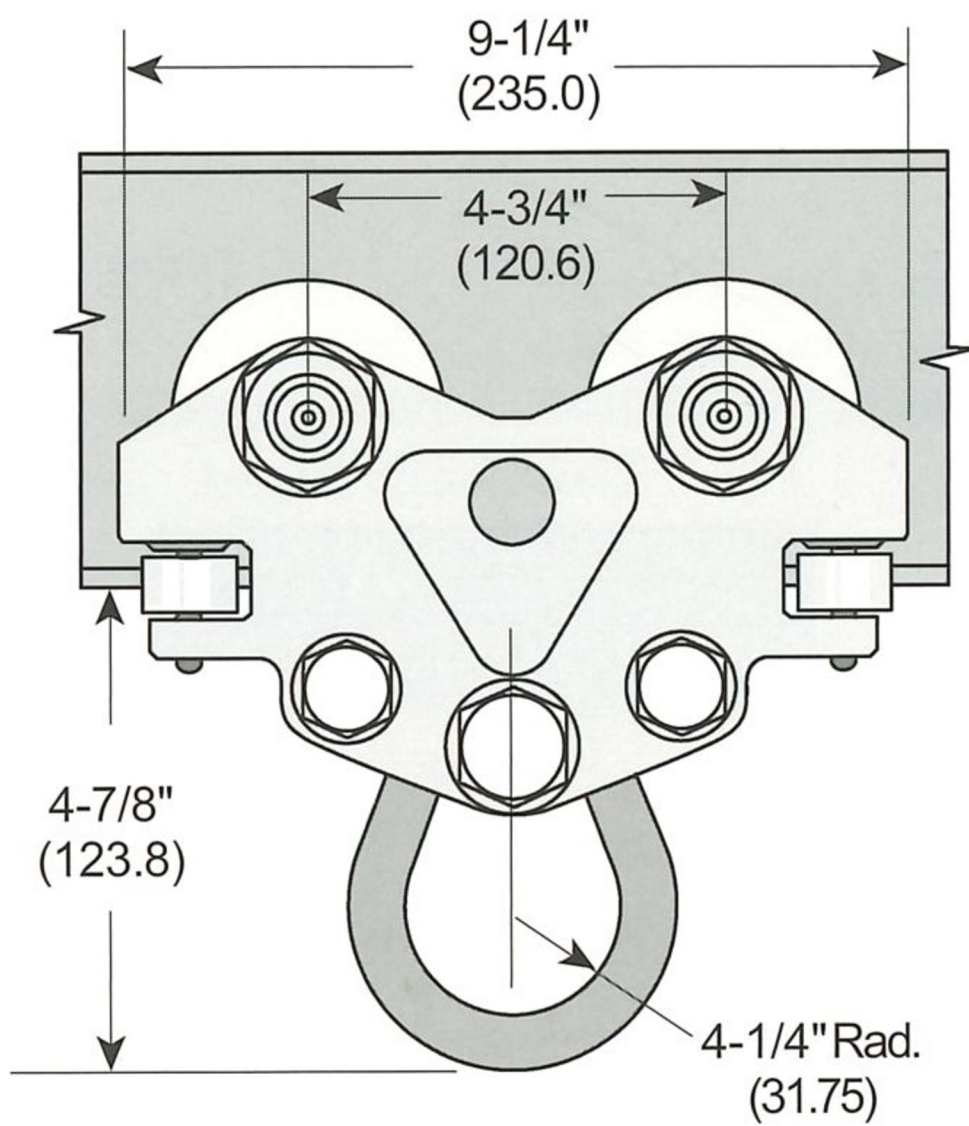
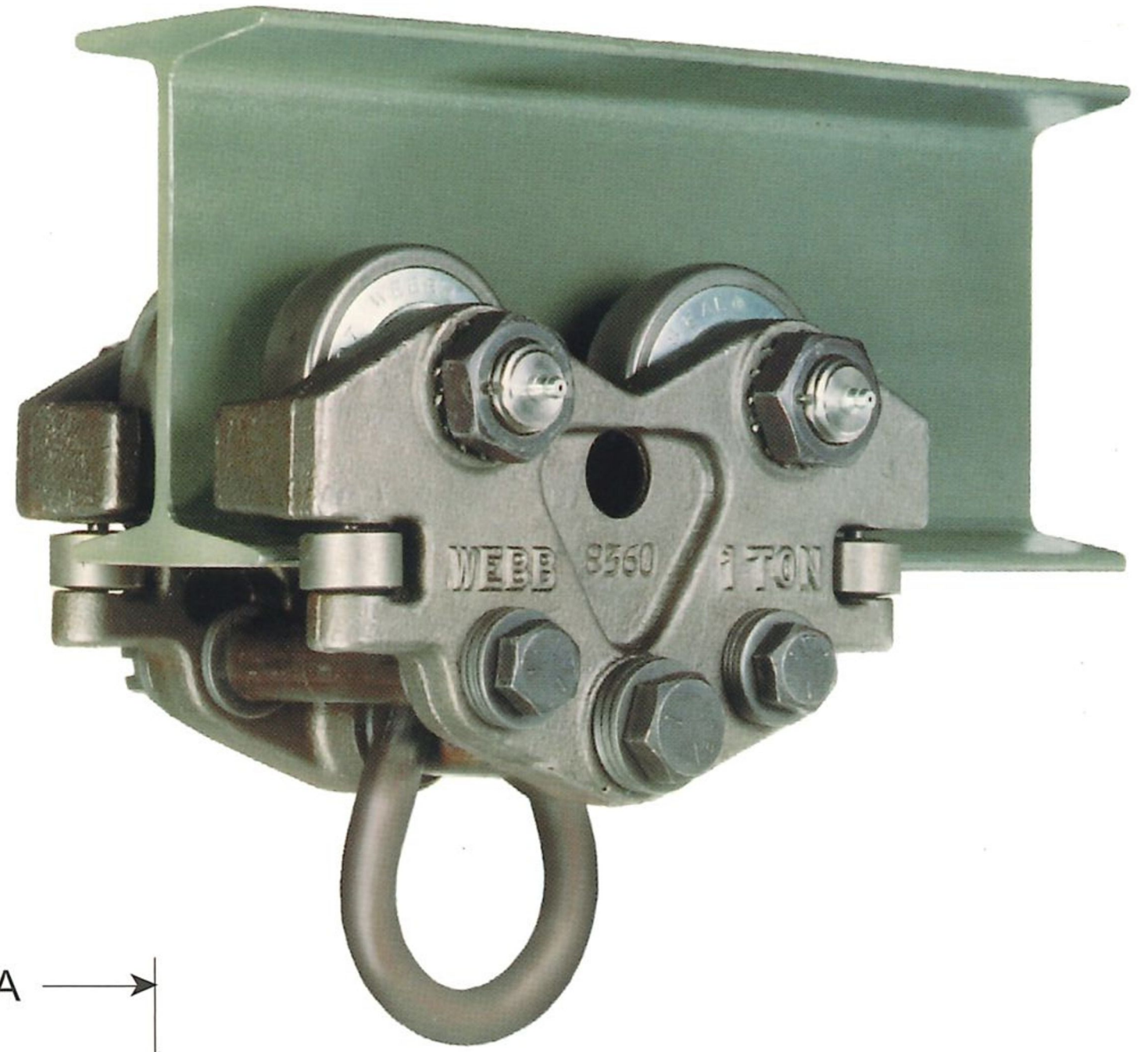
Extended end flanges for added safety.

Rugged cast iron body construction.

Trolley wheels are equipped with standard triple labyrinth seals. Wheels are bolted for easy replacement.

Available options:

Red Seal Guard with full contact grease seals.

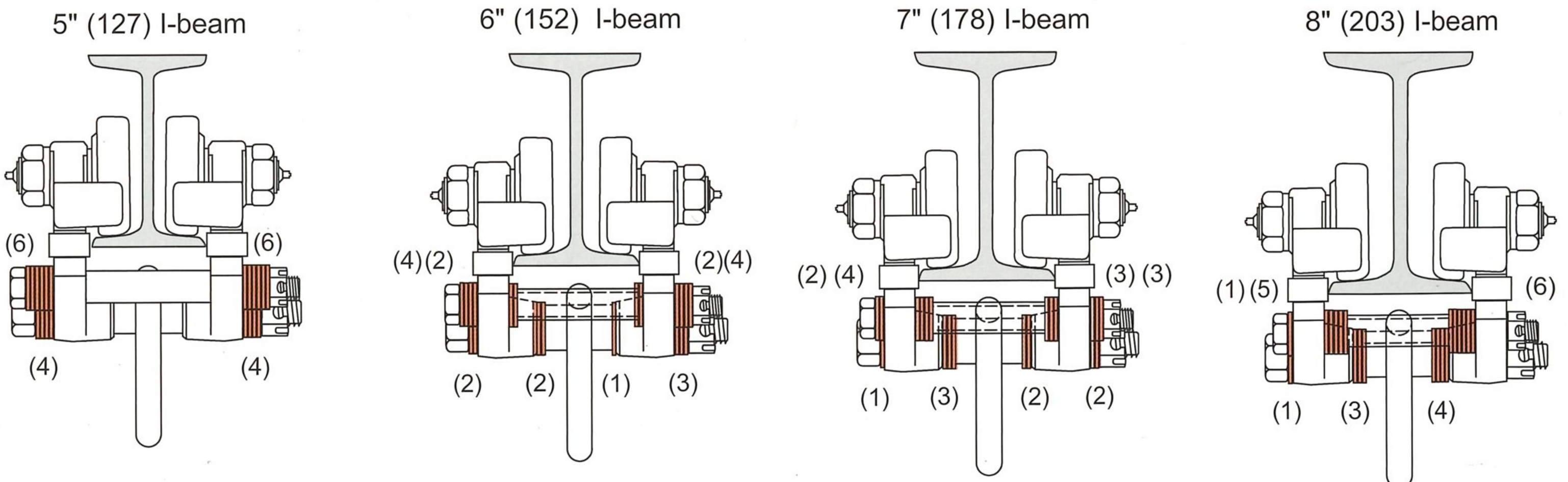


Min. horizontal radius 12" (304.8)
 Dia. of load link bolt 3/4" (19.1)
 Weight 27.75 pounds (12.58 kg)

I-beam Size	A	
	inch	mm
5"	4-5/16	109.5
6"	4-11/16	119.1
7"	4-15/16	125.4
8"	5-5/16	135.0

Washer Placement Guide

Caution: Maximum washer thickness for a 5/8" dia. (16.0) safety bolt is 0.095" (2.4)
 Maximum washer thickness for a 3/4" dia. (19.0) load bolt is 0.134" (3.4)



Load Bolts 0 washers per bolt inside
 8 washers per bolt outside

3 washers per bolt inside
 5 washers per bolt outside

5 washers per bolt inside
 3 washers per bolt outside

7 washers per bolt inside
 1 washers per bolt outside

Safety Bolts 0 washers per bolt inside
 12 washers per bolt outside

4 washers per bolt inside
 8 washers per bolt outside

7 washers per bolt inside
 5 washers per bolt outside

11 washers per bolt inside
 1 washer per bolt outside



2 Ton Capacity Trolley

Part No. 8363

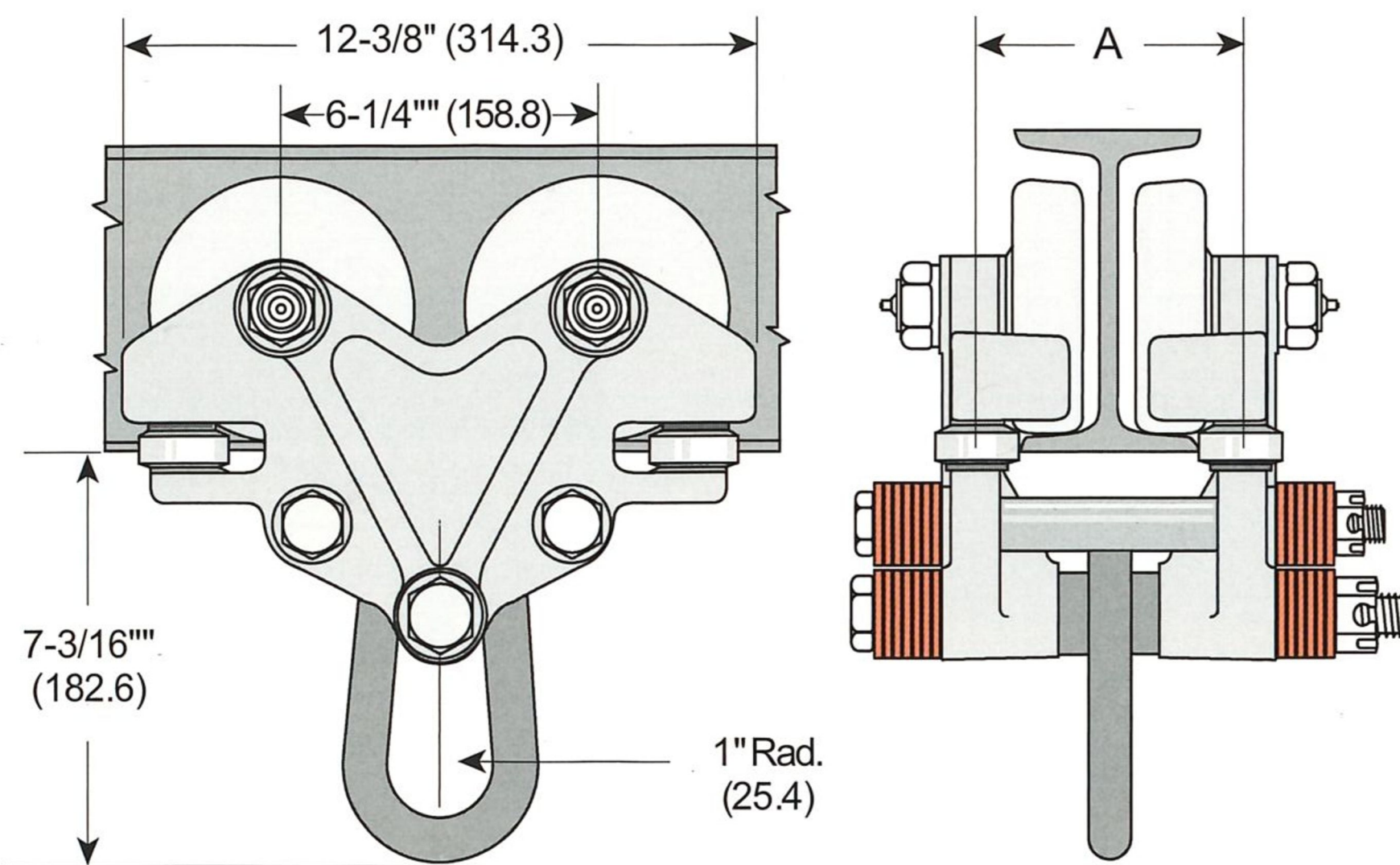
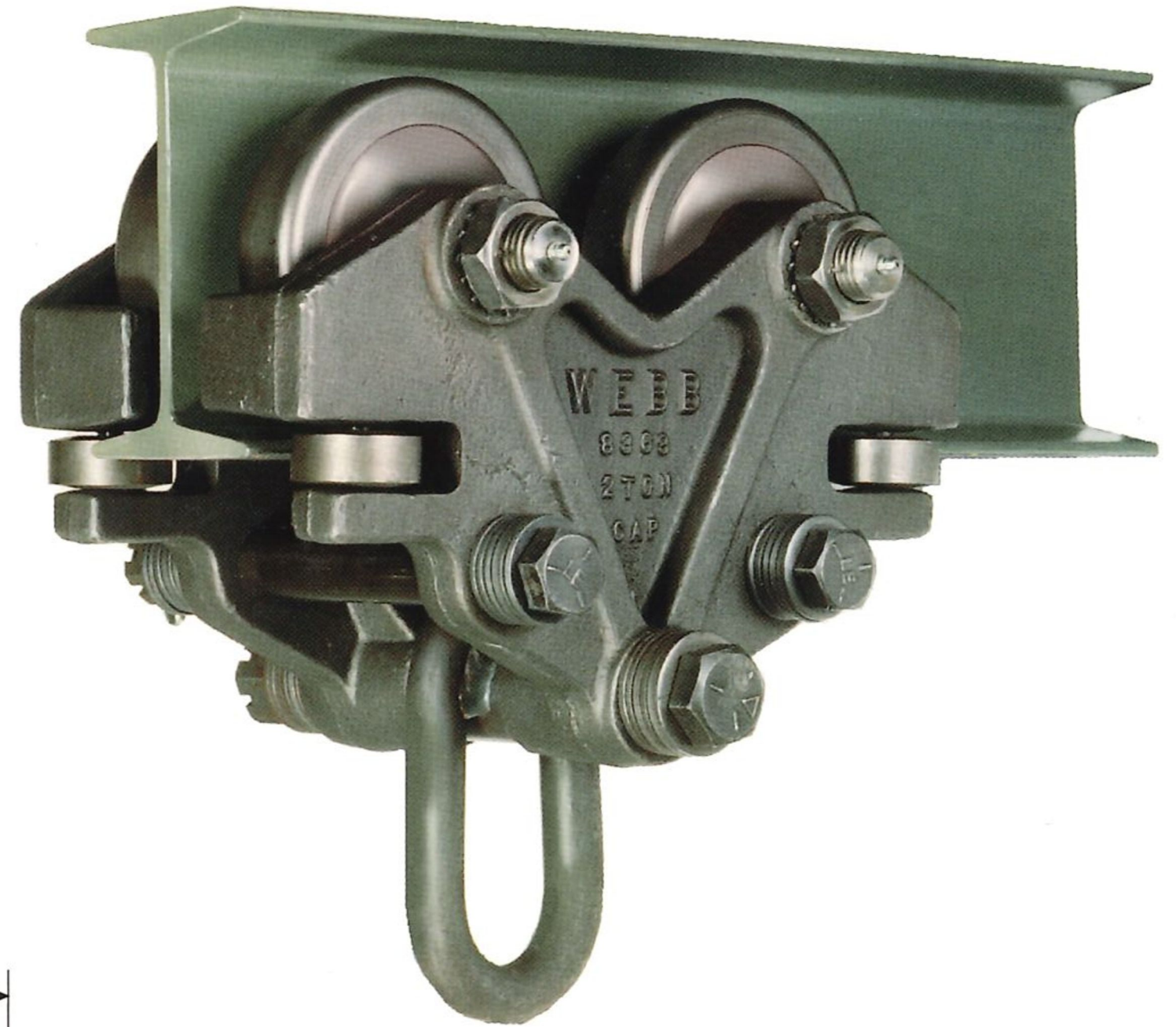
Adapts to: 6", 8", 10" & 12" I-beams

Standard Features:

- Side guide rollers prevent unnecessary wear on track and trolley.
- Extended end flanges for added safety.
- Rugged cast iron body construction.
- Trolley wheels are equipped with standard triple labyrinth seals. Wheels are bolted for easy replacement.

Available options:

- Red Seal Guard with full contact grease seals.



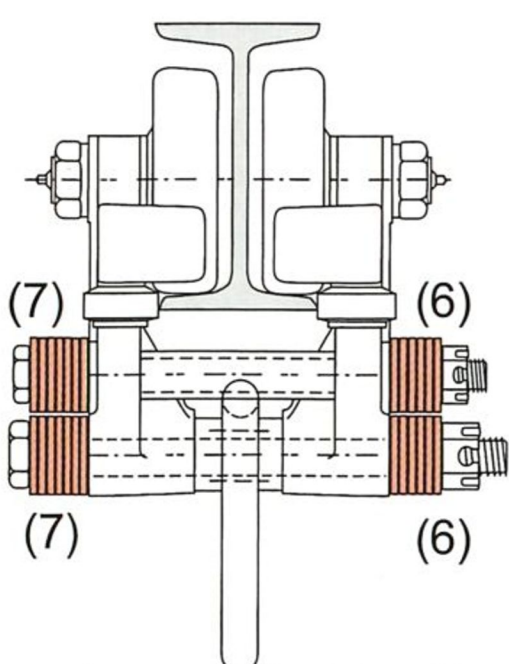
Min. horizontal radius 36" (304.8)
 Dia. of load link bolt 7/8" (22.2)
 Weight 66.5 pounds (30.16 kg)

I-beam Size	A	
	inch	mm
6"	5-5/16	135.0
8"	5-15/16	150.8
10"	6-9/16	166.6
12"	6-15/16	176.2

Washer Placement Guide

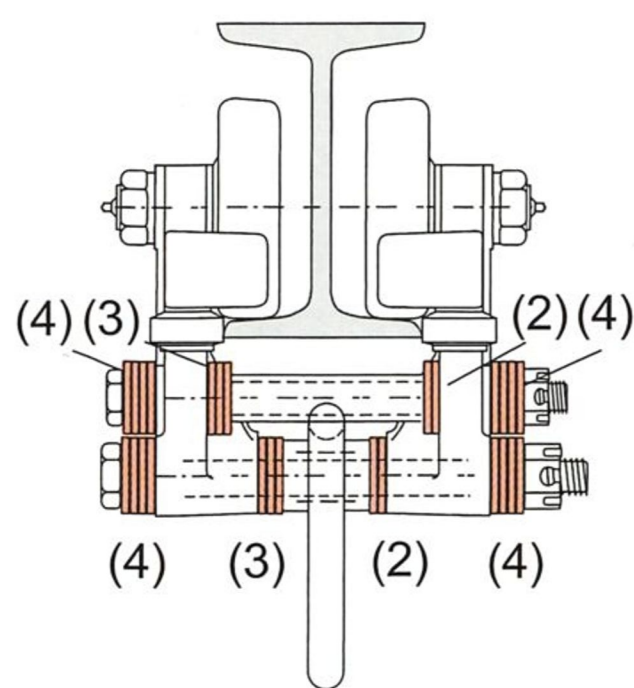
Caution: Maximum washer thickness for a 3/4" dia.(19.0) safety bolt is 0.134" (3.4)
 Maximum washer thickness for a 7/8" dia. (22.0) load bolt is 0.134" (3.4)

5" (127mm) I-beam



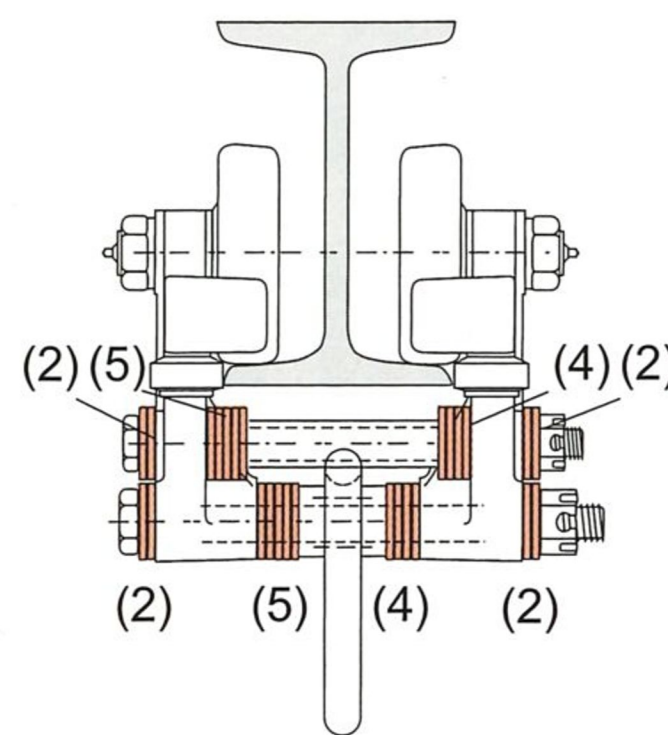
0 washers per bolt inside
 13 washers per bolt outside

6" (152mm) I-beam



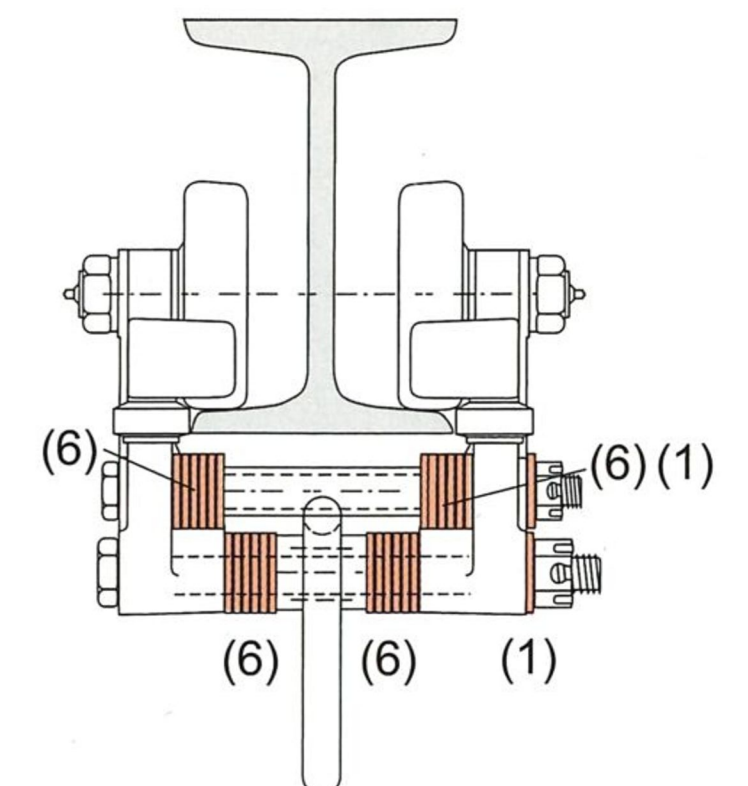
5 washers per bolt inside
 8 washers per bolt outside

10" (254mm) I-beam



9 washers per bolt inside
 4 washers per bolt outside

12" (304.8mm) I-beam



12 washers per bolt inside
 1 washer per bolt outside