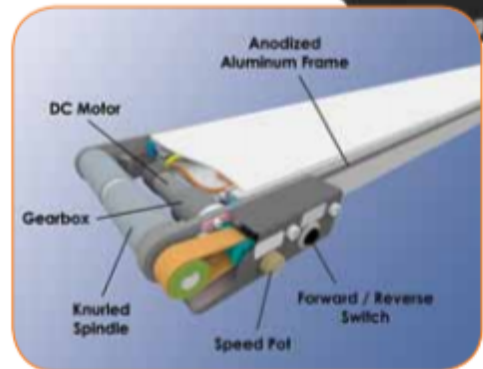


# 2200 & 2300 SERIES: iDRIVE



## Specifications:

- Sealed ball bearings
- Belt Widths: 2" (51 mm) to 18" (457 mm)
- Conveyor Lengths: 18" (457 mm) to 8' (2,438 mm)
- Belt Speeds: Variable Speed, (4) Speed Options
  - 1.7 to 17 ft/min (0.5 to 5 m/min)
  - 3 to 24 ft/min (0.9 to 7 m/min)
  - 5 to 50 ft/min (1.5 to 15 m/min)
  - 7 to 70 ft/min (2 to 21 m/min)
- Conveyor Load Capacity (non-accumulated, distributed load):
  - 1.7 to 17 ft/min – Up to 25 lbs (11.3 kg)
  - 3 to 24 ft/min – Up to 25 lbs (11.3 kg)
  - 5 to 50 ft/min – Up to 25 lbs (11.3 kg)
  - 7 to 70 ft/min – Up to 12 lbs (5.4 kg)
- Indexing Capable – Up to 30 indexes per minute



## Features & Benefits:

- Internally mounted gearmotor and control for space savings and tight work spaces
- Reduced integration time required to mount and wire the total conveyor package
- Ideal combination of conveyor and gearmotor sizing for small parts handling
- Variable Speed and reversible for maximum application flexibility
- Control switches conveniently located in high impact protective case
- 1.25" diameter drive roller for smooth product transfer
- V-guided belts for maintenance-free belt tracking (4" and wider only)
- Maintenance-free brushless DC motor



**OPTIONAL:**  
Customer Wired Controls

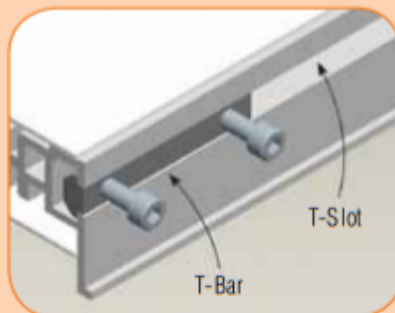
For ease of automation integration.



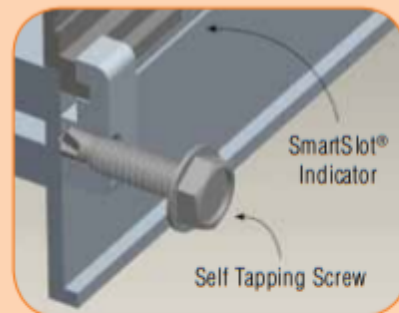
**OPTIONAL:**  
8 mm Nose Bar Transfer

Available at non-driven end.  
Speeds up to 75 ft/min (22 m/min).

### Two Side Rail Options:



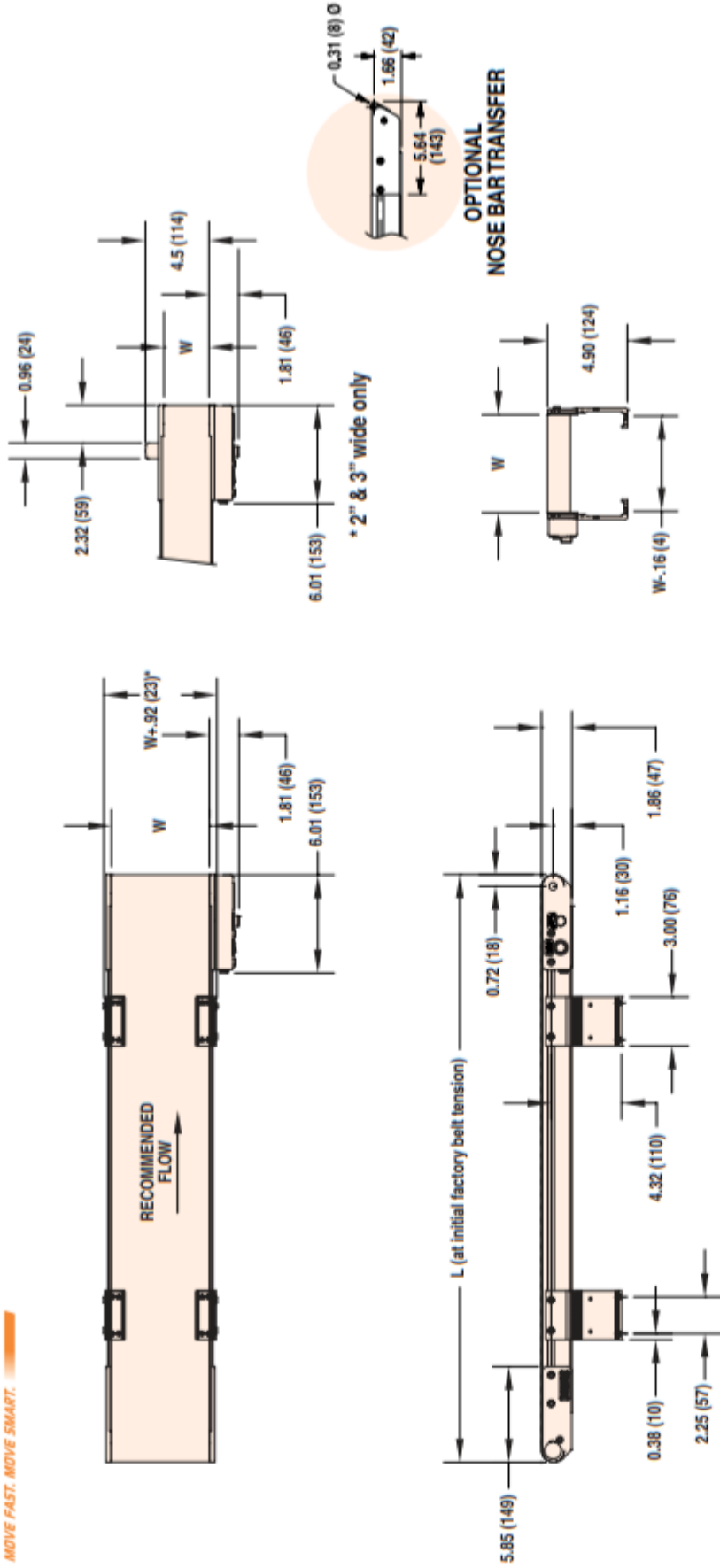
**2200 T-Slot Technology:**  
Drop in T-bar for ease and flexibility  
in mounting accessories



**2300 SmartSlot® Technology:**  
Functions like a T-Slot without  
collecting debris

For support stands and accessories, see pages 62-73.

For ordering information, see page 74



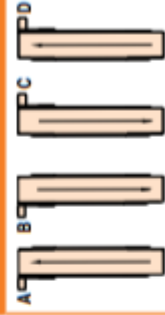
**W = Conveyor Belt Width Dim = in (mm)**

**STANDARD SIZES**

<b>Conveyor Width Reference</b>	02	03	04	05	06	08	10	12	18
<b>Conveyor Belt Width (W)</b>	1.75" (44mm)	2.75" (70mm)	3.75" (95mm)	5" (127mm)	6" (152mm)	8" (203mm)	10" (254mm)	12" (305mm)	18" (457mm)
<b>Conveyor Length Reference</b>	0150		0001 increments up to...						
<b>Conveyor Length (L)</b>	1.5' (457mm)		0.12" (3mm) increments up to...						
			8' (2,438mm)						

**NOTE:** Duty cycle not continuous rated.

**Drive Shaft Position**



Since belts are being pulled, positions A & D are preferred. Pushing belts (B & C) reduce conveyor load capacity by approximately 66%.